

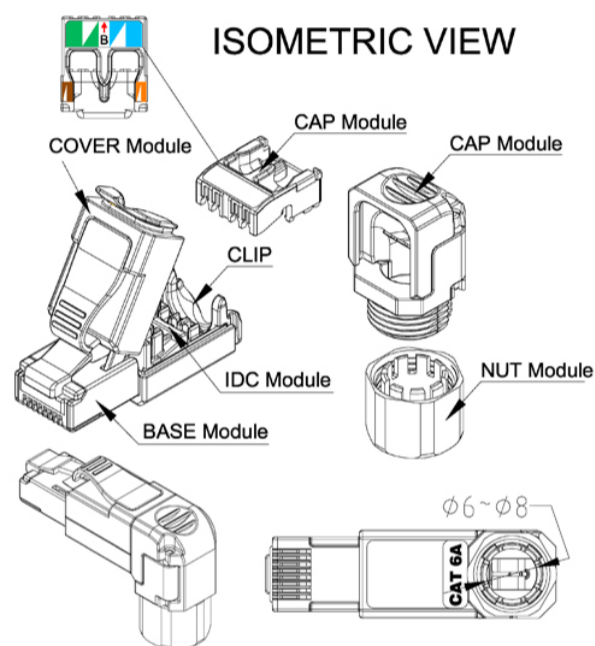
DuraMAX360 - 4 Way Industrial Cat.6A RJ45 Plug

As more and more industrial devices and appliances are controlled using a connection to the IT network, a more noise-tolerant and robust-structured modular plug is required compared to a common office LAN application plug. The plugs and cables must have a strong shielded structure to handle electrical noise and they must also be designed to work in harsh environments such as extreme temperatures, humidity, or vibration.

The DINTEK DuraMAX360™ industrial-grade Cat.6A RJ45 field plug has been designed for easy installation and field termination while being contained in a rugged package. The plug features a fully shielded die-cast housing and is a highly durable Cat.6A compliant component.

Effortless termination has been achieved using the ezi-CONNECT™ IDC system, which allows a reliable and easy termination process without the need to strip the wires.

In addition, the plug can be configured in 4 different right angle positions depending on the application environment and the directional requirement for the cable to exit away from the plug.



Standards Conformance

- ISO/IEC 11801-1:2017 (Ed. 1.0)
- ISO/IEC 11801-2:2017 (Ed. 1.0)
- EN 50173-1:2011 / EN 50173-2:2007 including amendment A1: 2010
- ANSI/TIA-568-2.DIEC 61935-2:2010 (Ed. 3.0) (transmission requirements)
- IEC 60512-99-002 (draft 48B/2531/CD) (plug)

Ordering Information

Product Number	Product Name	Category	Accepted Gauge
1505-05005	DuraMAX 360 - 4 Way Industrial Cat.6A RJ45 Plug	Cat.6A	22-26AWG

Technical Specifications

Physical Characteristics

Dimensions	45.5mm (L) x 13.8mm (W) x 27.0mm (H)
Housing Contact Pin	Phosphor Bronze Alloy Plated With 50 micro-inch of Gold
ID	Phosphor Bronze Alloy With 100 micro-inch 100% Sn Alloy
Accepted IDC Wire Gauges	22~26AWG
Storage Temperature Rating Operational Temperature Rating	-40°C to +70°C -10°C to +60°C

Electrical Characteristics

Electrical Insulation Resistance	500MΩ min. @ 100V D.C
Dielectric Withstanding Voltage	1000V D.C or A.C Peak Contact to Contact 1500V D.C or A.C Peak Contact to Shield @ 60Hz for 1 Minute

DINTEK Electronic Limited

台北市中山區中山北路二段96號 嘉新第二大樓五樓N511
 N511, 5F, 2nd Bldg, No. 96, Sec. 2, Zhongshan N. Rd. Zhongshan Dist., Taipei City 10449, Taiwan
 P: +886-2-22997898 E-mail: sales@dintek.com.tw W: www.dintek.com.tw