

# OM4 Duplex Low Profile LC Adapter - Unshuttered Without Flange

DINTEK's Light-LINKS™ Adapters (sometimes referred to as Couplers) are designed to provide an accurate system for connecting or aligning the optical fibers within two mated fiber optic connectors. By precisely aligning two connectors, DINTEK's fiber optic adapters allow light sources to be transmitted from fiber to fiber with the lowest insertion loss possible while maintaining excellent interchangeability and insertion/extraction life.

## Features

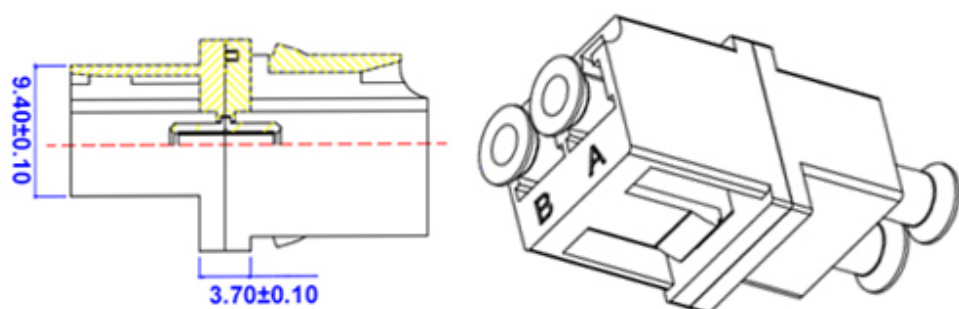
- Low insertion loss
- Environmentally stable
- Good insertion/extraction life
- Easy installation
- Visible light can be still be seen through the adapter when trying to trace signal with a VFL light source

## Standards Compliance

- ISO/IEC 11801
- Cenelec EN 50173-1 / 50173-5
- ANSI/TIA-568 D.3
- ISO/IEC 24764/ TIA-942

## Applications

- Fiber Telecommunications
- Optical Security, CATV, FTTx
- Local, Wide and Global Area Networks
- High EMI / RFI environments
- Racks and Panels / Server Rooms



## Propriétés techniques et mécaniques

Type de mode	OM4 - Violet (PC)
Diamètre de la ferrule	1.25mm
Cycles d'insertion/retrait	≥ 500
Mode de raccordement	LC femelle (PC)
Degré de protection	IP20
Température ambiante (fonctionnement)	-40°C ~ +80°C
Température ambiante (stockage)	-40°C ~ +85°C
Nombre de fibres	Duplex - 2 Fibre
Matériau du boîtier	Plastique
Matériau de la ferrule	Céramique de zircone
Force de traction du manchon	0.1 - 0.3kg
Perte d'insertion (dB)	≤0.2dB
Bride / Sans bride	Sans bride
Perte de retour (dB) monomode	UPC ≥ 30dB   APC ≥ 35 dB
Perte de retour (dB) Multimode	PC ≥ 45 dB

## Ordering Information

Product Number	Product Name	Shuttering	Mode Type	Adapter Color	Polish Type
2107-07012	LC-LC Multimode Duplex Adapter - Low Profile	Unshuttered	OM4	Purple	PC
2107-07008	LC-LC Multimode Duplex Adapter - Low Profile	Unshuttered	OM3	Aqua	PC
2107-07009	LC-LC Multimode Duplex Adapter - Low Profile	Unshuttered	OM2	Beige	PC
2107-07003	LC-LC Singlemode Duplex Adapter - Low Profile	Unshuttered	OS2	Blue	UPC
2107-07014	LC-LC Singlemode Duplex Adapter - Low Profile	Unshuttered	OS2	Green	APC

## DINTEK Electronic Limited

台北市中山區中山北路二段96號 嘉新第二大樓五樓N511  
 N511, 5F, 2nd Bldg, No. 96, Sec. 2, Zhongshan N. Rd. Zhongshan Dist., Taipei City 10449, Taiwan  
 P: +886-2-25223138 E-mail: sales@dintek.com.tw W: www.dintek.com.tw